




E-MAX PVR




PVR - DC VOLTAGE RELAYS



- High Reliability
- Millisecond Actuation
- Simple Installation
- Low Cost
- RoHS Compliant (Directive 2002/95/EC)
-  Recognized Models

Type PVR voltage-actuated relays are designed for indication alarm or annunciation in electric utility applications. They are used for data inputs to supervisory control/data acquisition and sequential event recorders. The relays contain a low power dc coil with circuitry to protect it from damage due to high voltage transients. High speed reed switch contacts operate in less than 3 milliseconds. The case is molded of glass-filled polycarbonate and is easily installed.

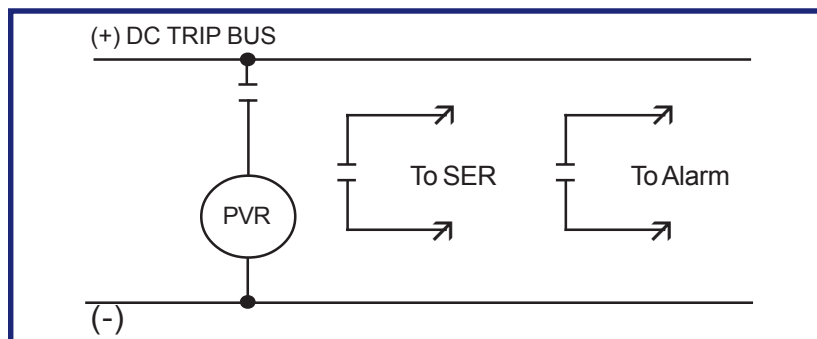
PVR ORDER INFORMATION

Part No.	Coil Parameters				Relay Rating				Contact Rating Switching
	DC Voltage Maximum Nominal	Maximum Operate	Maximum Continuous	Resistance +10% Ohms	Time (Msecs) Including Bounce	Breakdown Voltage (Vdc)	Switch Form	UL Recognized	
780A301	129	90	152	13000	3.0	1000	2A		50 W 1.5 A max. 500 Vdc
780A302	48	30	56	3200	3.0	1000	2A		
780A303	24	15	28	1600	3.0	1000	2A		
780A304	129	90	152	13000	4.0	1000	1A		100 W 3.0 A max. 300 Vdc
780A307	129	90	152	13000	4.0	1000	C		
780A308	129	90	152	13000	0.75	750	2A		50 W 1.0 A max. 250 Vdc
780A311	250	180	280	29000	3.0	1000	2A		50 W 1.5 A max. 500 Vdc

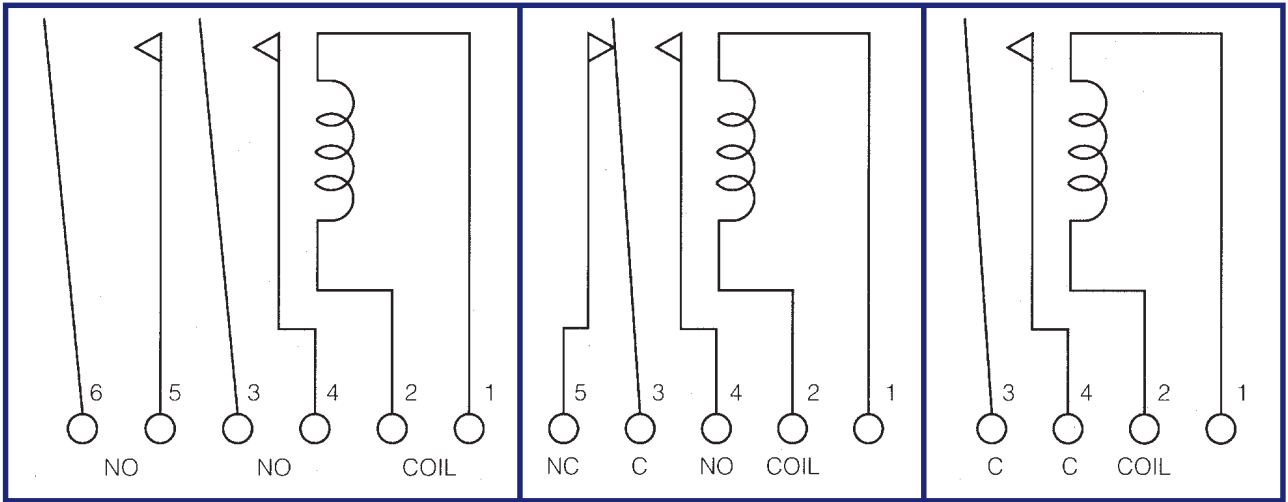
Operating Temperature: 0° to 50° Centigrade
 Storage Temperature: -54° to 85° Centigrade
 Altitude Range: 0 to 50,000 feet
 Moisture Resistance: 95% Relative Humidity

Life Expectancy: 1 x 10⁶ Operations Minimum
 Weight: 12 oz maximum Form C, Form A
 14 oz maximum 2 Form A
 Cycling Rate: 60 cps maximum

APPLICATION



SCHEMATICS



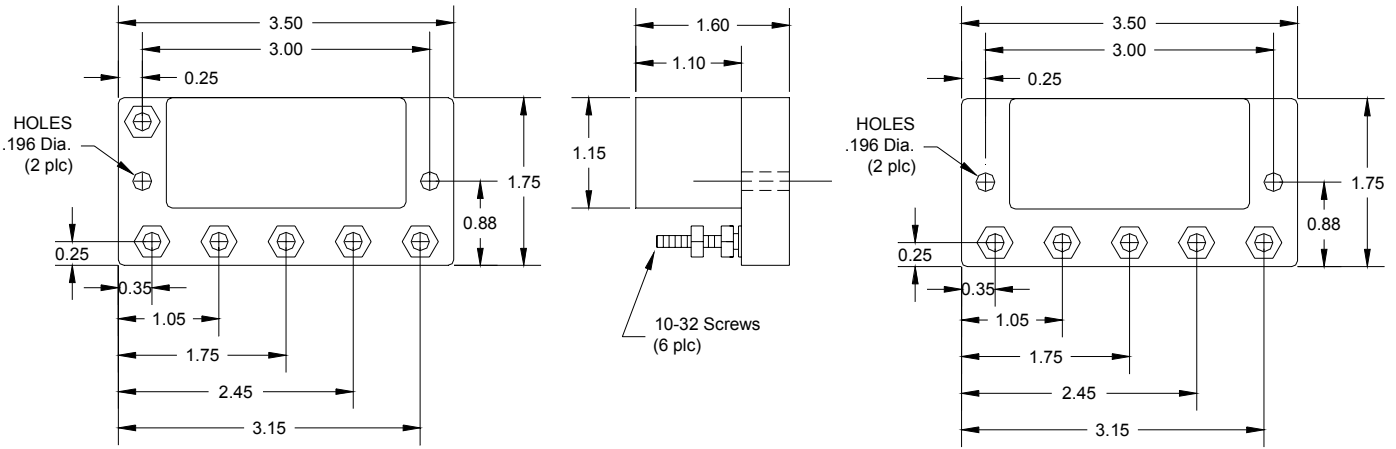
2 Form A

Form C

Form A

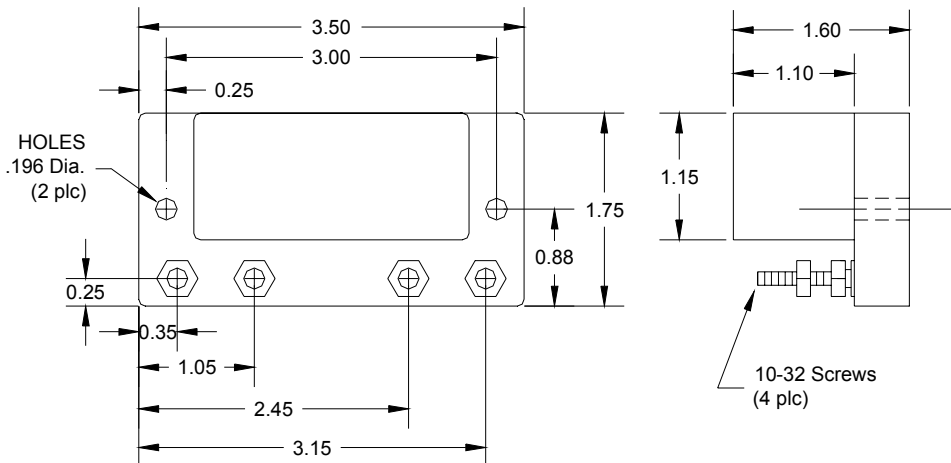
PVR DIMENSIONS

ALL DIMENSIONS IN INCHES



2 Form A

Form C



Form A