



E-MAX RAW-2

TRIP CIRCUIT MONITOR WITH DUAL C CONTACT



- Continuous monitoring of trip coil continuity
- Self-monitoring - long-life
- Can also be used as a self-latching, high speed target for trip indication
- Simple Installation

The RAW-2 is a panel mounted relay for monitoring trip coil continuity. The relay itself is self-monitoring since opening of any of the series components causes the same conditions as the loss of the trip coil. On breaker opening, the RAW-2 is energized through the breaker "B" contact.

Output contacts for the RAW-2 Relay are 2 form C. The RAW-2 is available for 125 Vdc, 48 Vdc, 24 Vdc and 250 Vdc input. The RAW-2D contains the additional feature of delay on drop-out. The delay of approximately 200 milliseconds is designed to allow auxiliary contacts to transfer without alarm. The relay cases are molded of rugged glass-coupled acetal copolymer having high dielectric strength and top located terminals for ease in mounting and connection.

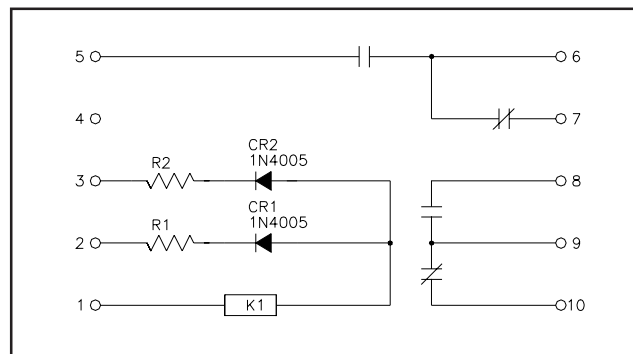
ORDERING INFORMATION

Part No.	Model	Nominal V	Output Contacts
P/N 632A311	RAW-2 Relay	125 V	2 Form C
P/N 632A312	RAW-2 Relay	48 V	2 Form C
P/N 632A313	RAW-2 Relay	250 V	2 Form C
P/N 632A314	RAW-2 Relay	24 V	2 Form C
P/N 632A315	RAW-2D Relay	125 V	2 Form C
P/N 632A316	RAW-2D Relay	48 V	2 Form C
P/N 632A317	RAW-2D Relay	250 V	2 Form C
P/N 632A318	RAW-2D Relay	24 V	2 Form C

SPECIFICATIONS

Isolation	1500 Vdc minimum contact or coil to Coil or coil to ground.
Contact Rating	Switching - 50 Watts 1.5 A max.; 500 V max. (0.5 A max. inductive) Carrying - 5.0 A max.
Operating Temperature	-25 to 65° C
Storage Temperature	-54 to 85° C
Altitude	0 - 50,000 feet
Life Expectancy	1 x 10 ⁵ Operations
Vibration	Insensitive to Vibration below 1 KHz
Noise Immunity	ANSI C37.90a-1974
Cycling Rate	60 cps Maximum

SCHEMATIC



STANDARD CASE DIMENSIONS

ALL DIMENSIONS IN INCHES

