



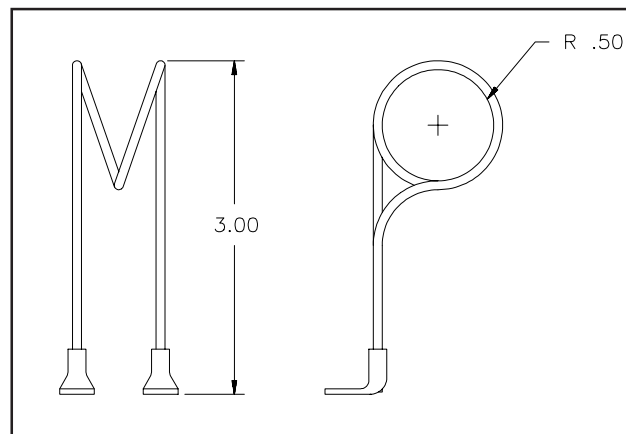
# E-MAX RSA-8

RSA-8 SHUNT ASSEMBLY



The RSA-8 Recording Shunt Assembly contains eight individual shunts with terminal block programming for either a current channel (using the shunt) or bypassing the shunt and using a dropping resistor for conversion to a voltage channel.

The shunts have 2500 V rms isolation from each other and from ground. Each shunt is an individual loop of Evanohm wire. The loop is supported mechanically to prevent distortion during large overload conditions. This wire is the standard of the ultra-precision resistor industry.

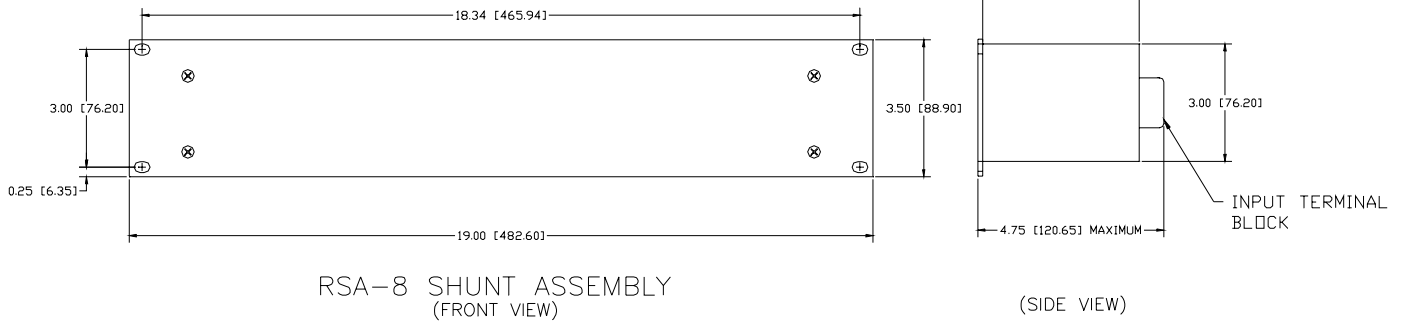


Shunt Fabrication Drawing

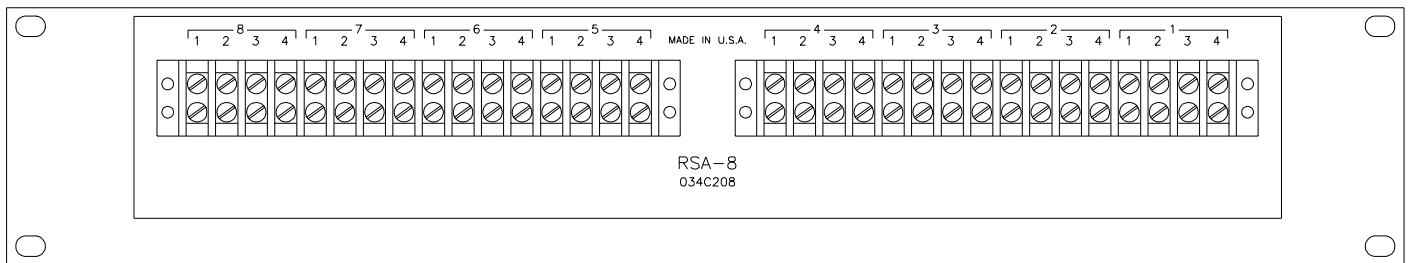
## SPECIFICATIONS

Part Number:	034A208
Nominal Current:	5 A
Maximum Continuous Current:	10 A
Maximum Current (1 Minute):	50 A
Maximum Current (1 Second):	200 A
Nominal Resistance:	.100 Ohms $\pm 5\%$
Stability:	$\pm 0.1\%$

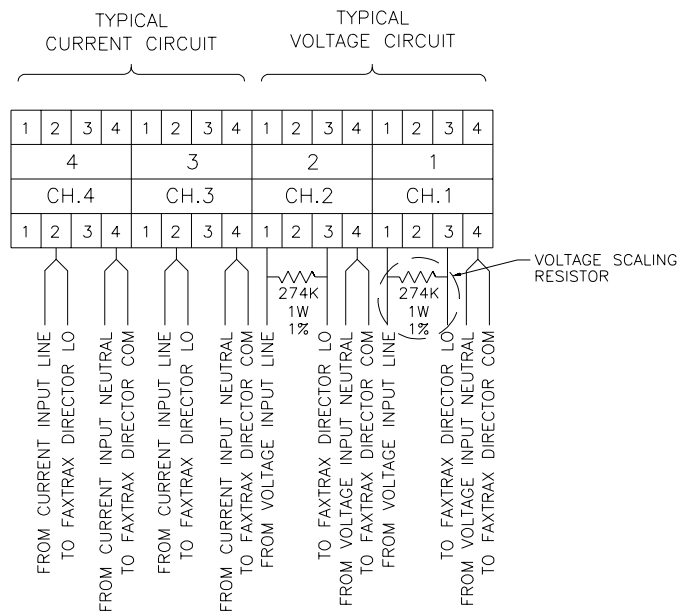
# DIMENSIONS



# REAR VIEW



# TYPICAL CONNECTION DIAGRAM



RSA-8 SHUNT ASSEMBLY WIRING